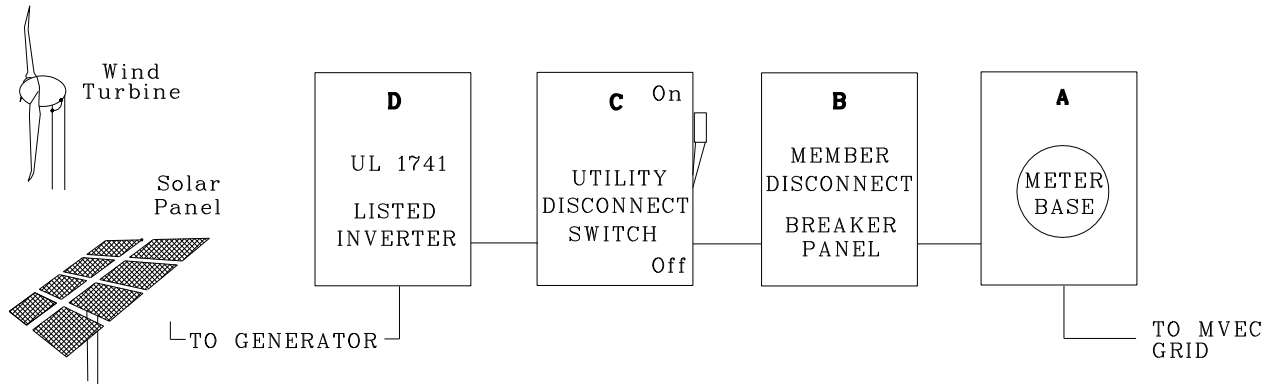


SINGLE "NET METERING" INSTALLATION FOR FACILITIES 50 KW AND SMALLER



COOPERATIVE SHALL:
Furnish and install meter and service wire.

Initially test for loss of grid power isolation of generator.

Furnish and install labels accordingly.

NOTE:
MVEC "Distribution Generation Procedures & Guidelines Manual for Members" contains additional information, requirements, and responsibilities for satisfactory operation of generating systems on MVEC distribution facilities.

MEMBER SHALL:
Meet all MVEC membership and service requirements.

Meet all requirements of the "Distributed Generation Procedures & Guidelines Manual for Members".

Pay all required MVEC fees for service.

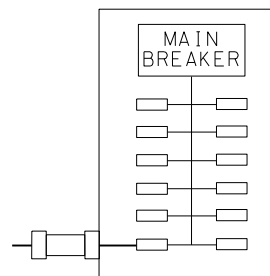
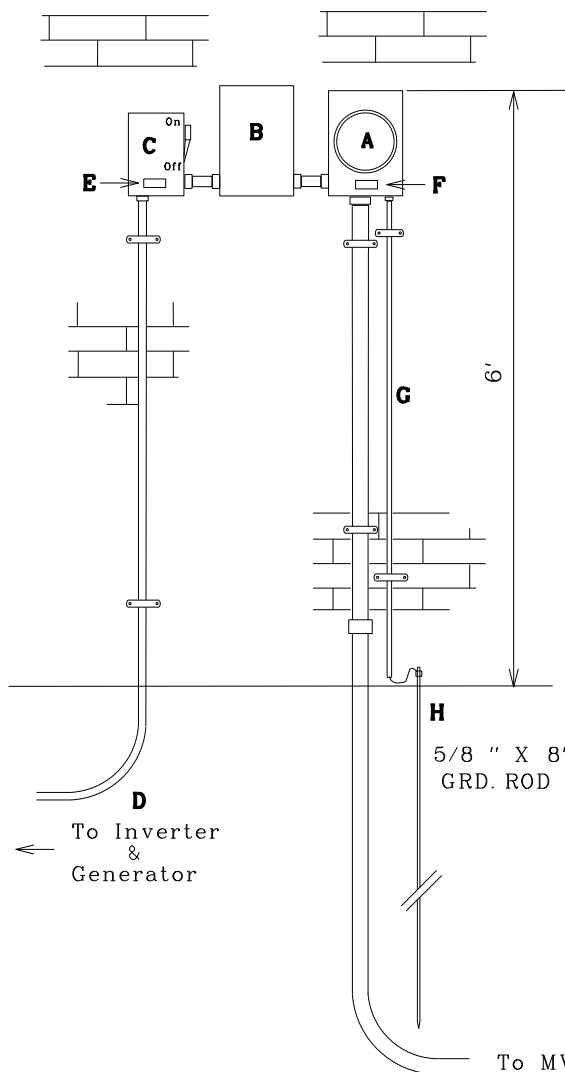
Furnish manufacturer's detailed electrical schematic for MVEC review.

Furnish and install meter base and all other required materials.

Bond meter base and all other devices to visible ground.

Provide a lockable utility disconnect switch. (MVEC may lock utility disconnect switch in the open position when necessary. Member shall not remove lock without permission from MVEC.)

- A** Meter base (see meter base detail)
- B** Member disconnect breaker panel



- C** Utility disconnect switch (lockable - with fuses) located 1' - 3' from meter
- D** Underwriter Laboratories, Inc. 1741 listed inverter
- E** Yellow label that reads "Utility Disconnect Switch Alternate Power Source" MVEC will provide and install
- F** Yellow label that reads "Caution Alternate Power Source" MVEC will provide and install
- G** Non metallic conduit or metallic conduit with both ends bonded to ground; No. 6 copper groundwire (NEC-250-92-B)
- H** Approved grounding electrode: 5/8" X 8' copper weld ground rod